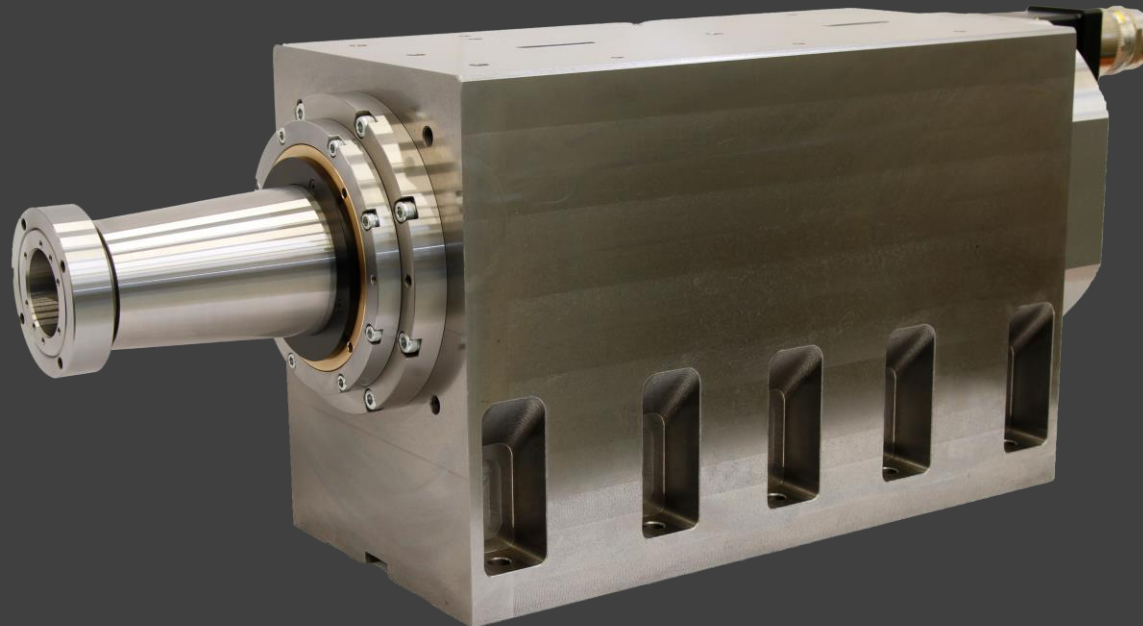




Precision Spindles &
Spindle repair services

myl.es

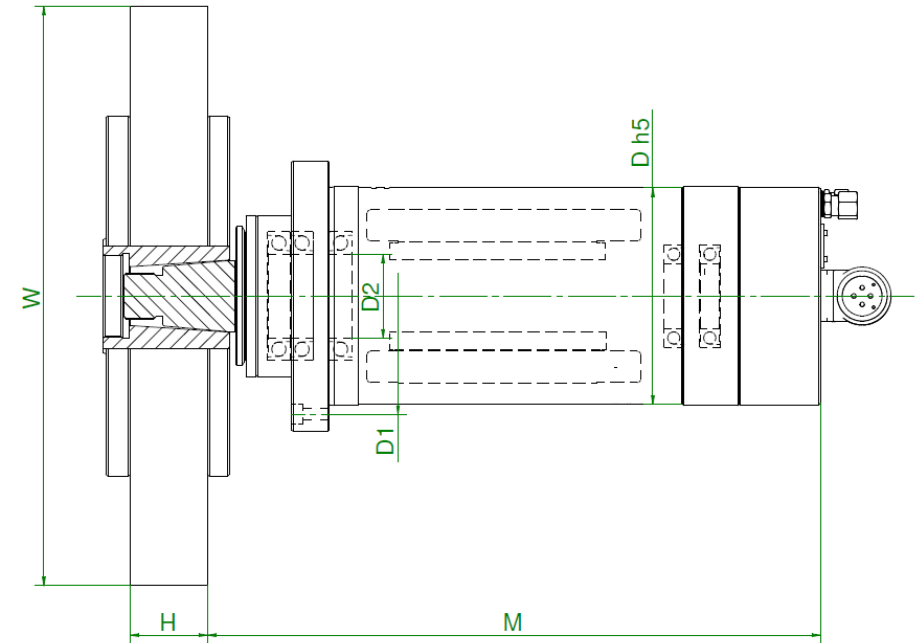
O.D. Grinding Spindles Model Range





Standard High Frequency O.D. Grinding Spindles

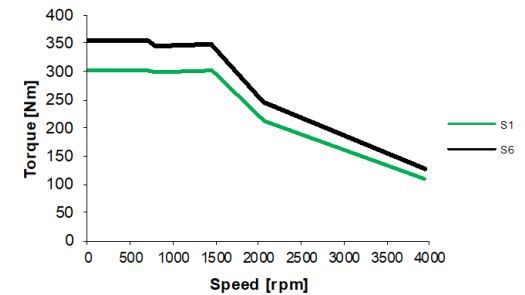
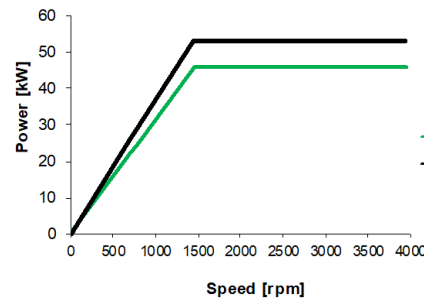
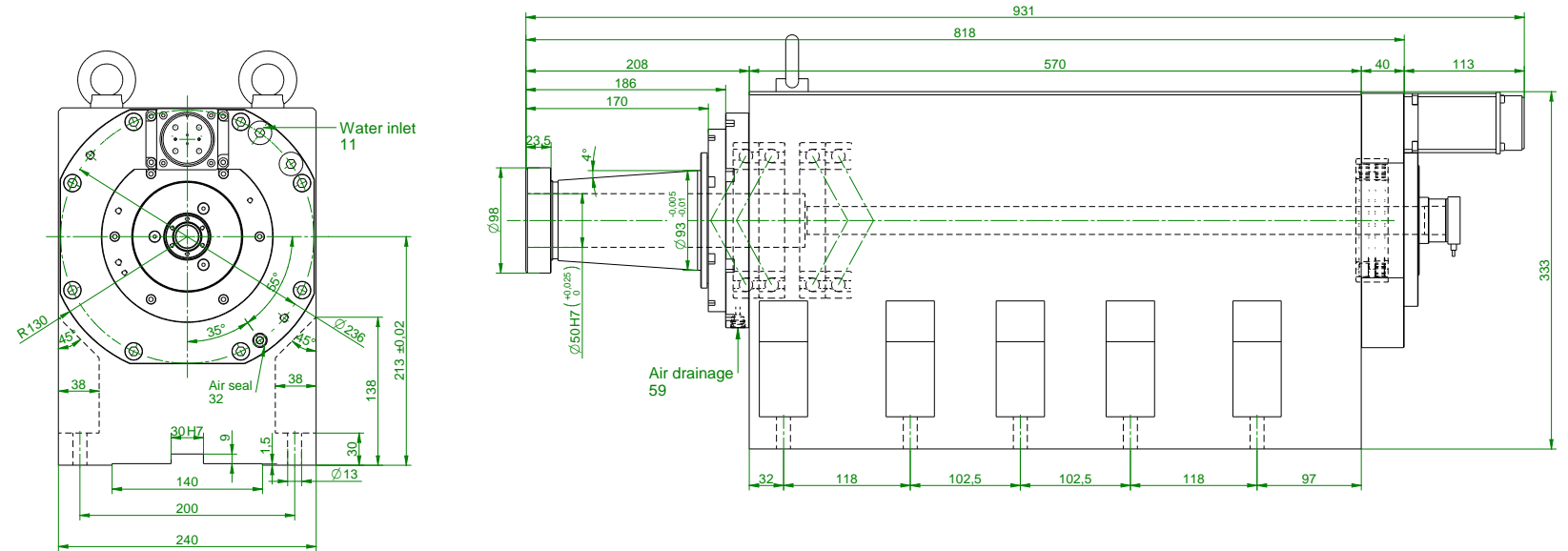
SPINDLE	DIMENSIONS						SERVICE S6 - 60%			
	D	D1	D2	W	H	M	na (rpm)	nb (rpm)	POWER Pa (kW)	TORQUE Ta (Nm)
SGE 170-8000/10	170	205	70	350	40	415	2.000	8.000	10	48
SGE 170-8000/21	170	210	70	400	40	450	4.000	8.000	21	50
SGE 170-8000/30	170	210	65	400	50	500	4.800	7.870	30	36
SGE 210-5000/35	210	210	70	600	50	555	3.000	5.000	35	111
SGE 240-4000/25	240	282	95	600	80	550	1.900	4.000	25	126
SGE 240-7000/41	240	240	95	600	100	550	1.500	7.000	41	261
SGE 240-4000/54	240	240	95	700	100	580	1.450	4.000	54	355
SGE 250-9000/45	250	300	70	600	80	500	3.000	9.000	45	140
SGE 370-3000/110	370	320	160	1.200	200	920	1.200	3.000	110	875





SGE 240x570 46kW 4.000rpm

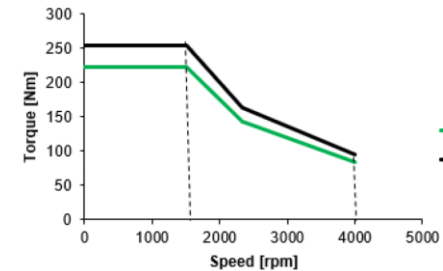
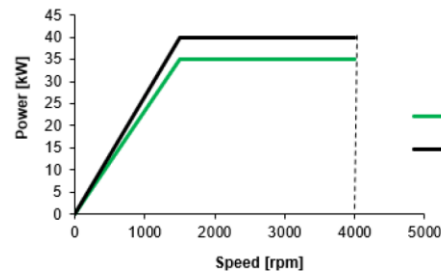
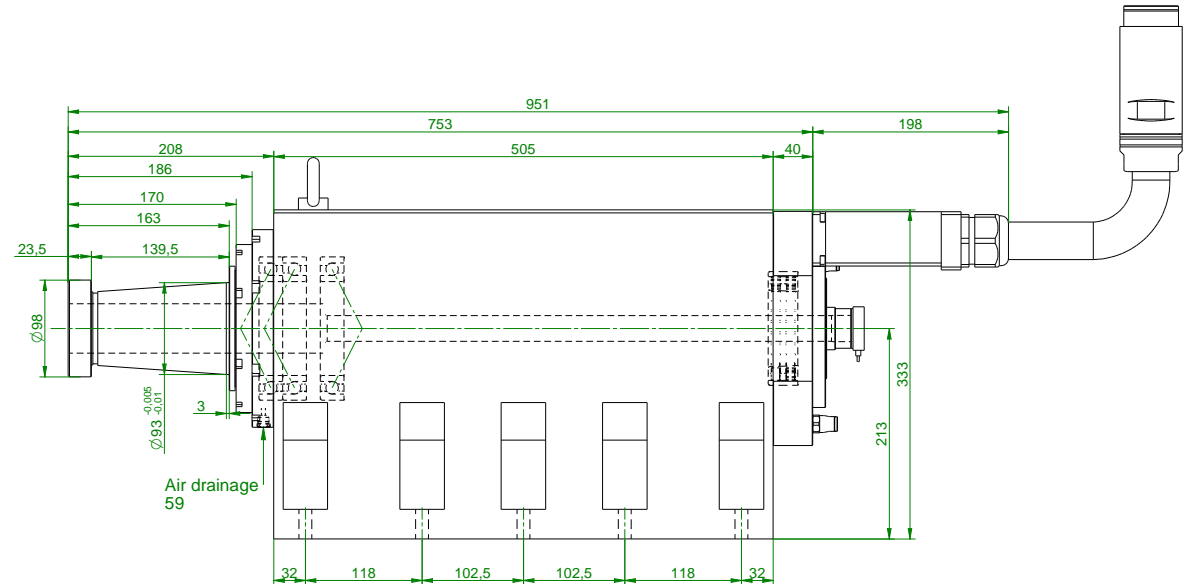
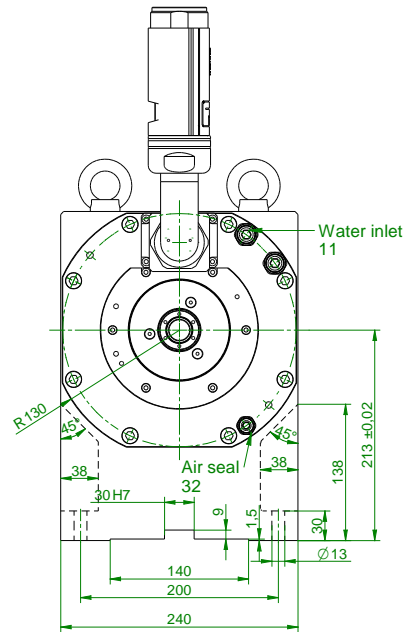
MYL CODE	SP02GE011000110
DIMENSIONS [mm]	240x570
WORKING POSITION	HORIZONTAL
MOTOR TYPE	ASYNCHRONOUS
TORQUE [Nm] @ SPEED [rpm]	303 @700
POWER [kW] @ SPEED [rpm]	46 @1,450
MAX SPEED [rpm]	4,000
TAPER TYPE	CTE Ø93
LUBRICATION	GREASE
MOTOR COOLANT	YES
AIR SEAL	YES





SGE 240x505 35kW 4.000rpm

MYL CODE	SP02GE011000172
DIMENSIONS [mm]	240x505
WORKING POSITION	HORIZONTAL
MOTOR TYPE	ASYNCHRONOUS
TORQUE [Nm] @ SPEED [rpm]	223 @1,500
POWER [kW] @ SPEED [rpm]	35 @1,500
MAX SPEED [rpm]	4,000
TAPER TYPE	CTE Ø93
LUBRICATION	GREASE
MOTOR COOLANT	YES
AIR SEAL	YES





EXAMPLES

SP02GE011000172	SGE 240x505 35kW 4.000rpm
-----------------	------------------------------





Precision Spindles &
Spindle repair services

myl.es

Thank you