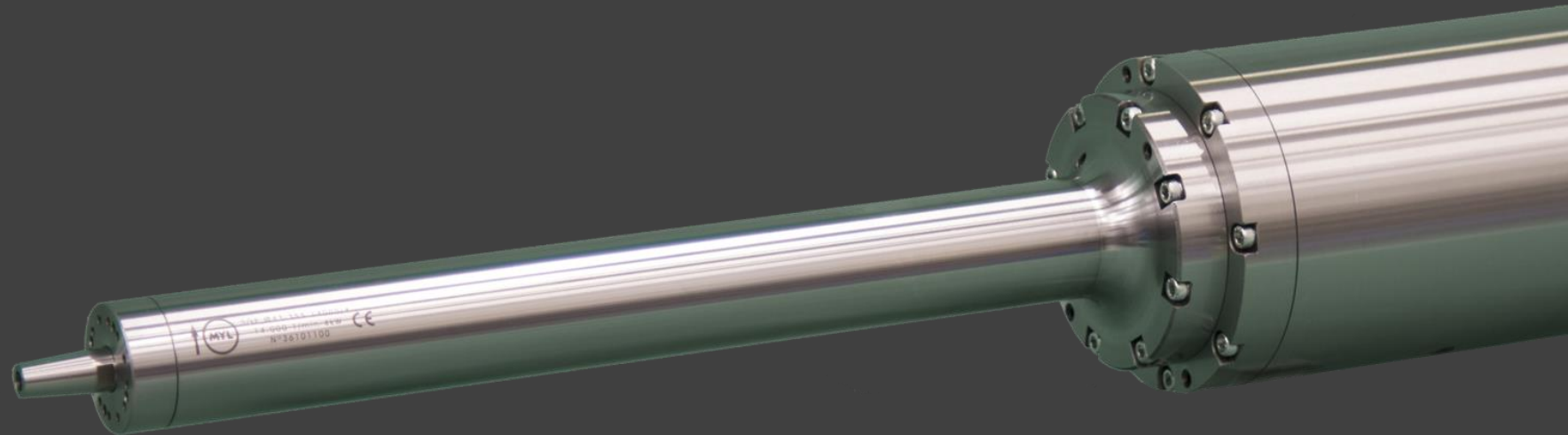




Precision Spindles &  
Spindle repair services

[myl.es](http://myl.es)

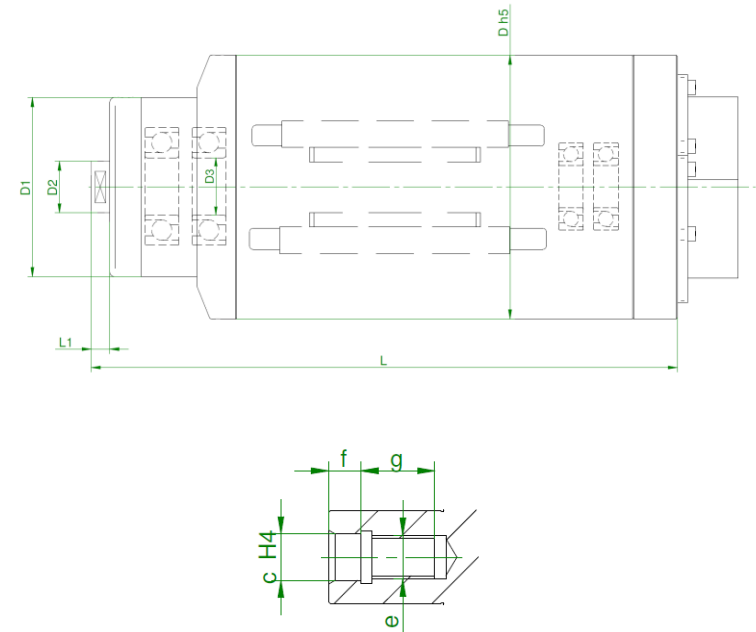
# I.D. Grinding Spindles Model Range





# Standard High Frequency I.D. Grinding Spindles

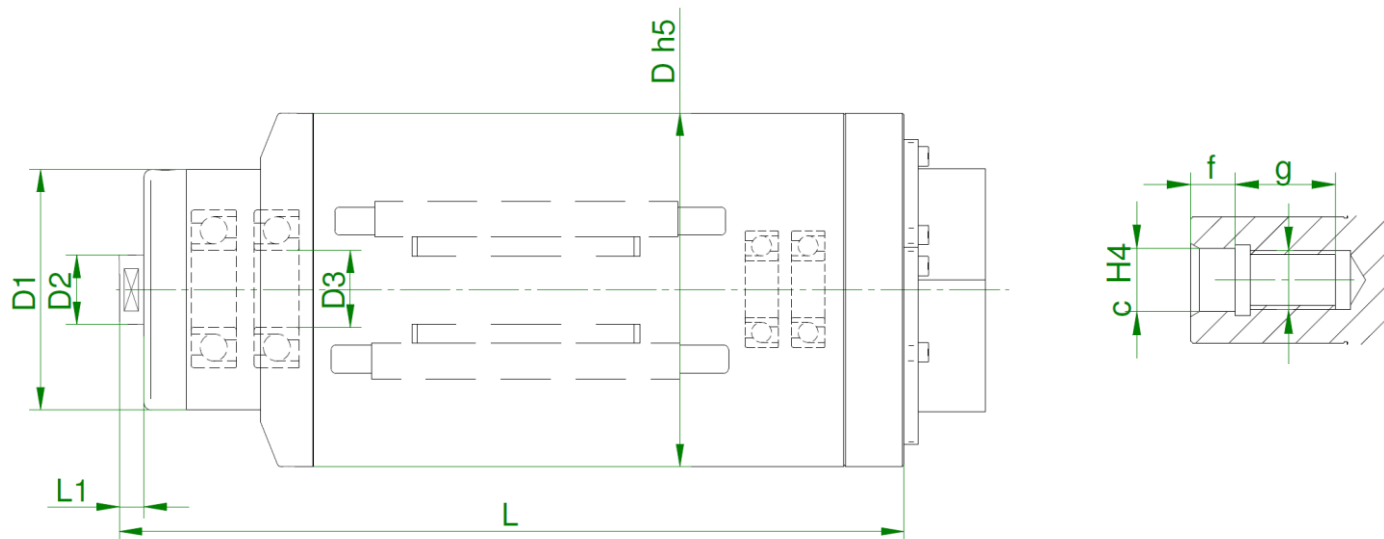
| SPINDLE            | DIMENSIONS |     |    |    |       |    |    |         |    |    | LUBRICATION | SERVICE<br>S6 - 60% |             |                     |                      | Tension<br>[V] | Freque<br>ncy [Hz] | Current<br>[A] |
|--------------------|------------|-----|----|----|-------|----|----|---------|----|----|-------------|---------------------|-------------|---------------------|----------------------|----------------|--------------------|----------------|
|                    | D          | D1  | D2 | D3 | L     | L1 | c  | e       | f  | g  |             | na<br>(rpm)         | nb<br>(rpm) | POWER<br>Pa<br>(kW) | TORQUE<br>Ta<br>(Nm) |                |                    |                |
| SGS 80-180000/0,6  | 80         | -   | 7  | 7  | 194   | 4  | 4  | M4x0,7  | 6  | 8  | AIR / OIL   | 180.000             |             | 0,6                 | 0,032                | 350            | 3000               | 1,6            |
| SGS 80-120000/1,2  | 80         | 50  | 9  | 10 | 195   | 5  | 5  | M5x0,8  | 7  | 9  | AIR / OIL   | 120.000             |             | 1,2                 | 0,095                | 350            | 2000               | 3,5            |
| SGS 80-90000/3     | 80         | 65  | 16 | 17 | 213   | 6  | 6  | M6x1    | 9  | 11 | AIR / OIL   | 90.000              |             | 3                   | 0,3                  | 350            | 1500               | 9              |
| SGS 80-75000/3     | 80         | 60  | 14 | 15 | 210   | 5  | 8  | M8x1,25 | 12 | 17 | AIR / OIL   | 75000               |             | 3                   | 0,38                 | 350            | 1250               | 9              |
| SGS 100-120000/2   | 100        | 50  | 9  | 10 | 205,5 | 6  | 5  | M5x0,8  | 7  | 9  | AIR / OIL   | 120.000             |             | 2                   | 0,16                 | 350            | 2000               | 6              |
| SGS 100-105000/2   | 100        | 65  | 13 | 15 | 209   | 6  | 8  | M8x1,25 | 12 | 14 | AIR / OIL   | 105.000             |             | 2                   | 0,18                 | 350            | 1750               | 6,4            |
| SGS 100-90000/3    | 100        | 65  | 16 | 17 | 213   | 6  | 9  | M9x1,25 | 13 | 14 | AIR / OIL   | 90.000              |             | 3                   | 0,3                  | 350            | 1500               | 9              |
| SGS 100-75000/5    | 100        | 71  | 18 | 20 | 250   | 8  | 10 | M10x1,5 | 15 | 19 | AIR / OIL   | 75.000              |             | 5                   | 0,6                  | 350            | 1250               | 13,5           |
| SGS 100-60000/6    | 100        | 77  | 23 | 25 | 269   | 12 | 14 | M14x1,5 | 21 | 19 | AIR / OIL   | 60.000              |             | 6                   | 1                    | 350            | 1000               | 15,6           |
| SGS 120-90000/3    | 120        | 65  | 16 | 17 | 213   | 6  | 9  | M9x1,25 | 13 | 14 | AIR / OIL   | 90.000              |             | 3                   | 0,3                  | 350            | 1500               | 9              |
| SGS 120-60000/9    | 120        | 77  | 23 | 25 | 270   | 9  | 14 | M14x1,5 | 21 | 19 | AIR / OIL   | 60.000              |             | 9                   | 1,4                  | 350            | 1000               | 24             |
| SGS 120-51000/15   | 120        | 98  | 28 | 30 | 327   | 9  | 16 | M16x1,5 | 24 | 19 | AIR / OIL   | 32.000              | 51.000      | 15                  | 4,5                  | 350            | 1700               | 36             |
| SGS 120-42000/15   | 120        | 98  | 38 | 40 | 335   | 11 | 22 | M22x2   | 34 | 25 | AIR / OIL   | 32.000              | 42.000      | 15                  | 4,5                  | 350            | 1400               | 36             |
| SGS 120-30000/15,5 | 120        | 120 | 48 | 50 | 389   | 13 | 28 | M28x2   | 42 | 25 | AIR / OIL   | 20.000              | 30.000      | 15,5                | 7,4                  | 350            | 1000               | 45             |
| SGS 120-24000/6    | 120        | 97  | 43 | 45 | 328   | 8  | 22 | M22x2   | 34 | 24 | AIR / OIL   | 24.000              |             | 6                   | 2,3                  | 350            | 800                | 17             |
| SGS 150-42000/19,5 | 150        | 98  | 38 | 40 | 335   | 11 | 22 | M22x2   | 34 | 25 | AIR / OIL   | 30.000              | 42.000      | 19,5                | 6,3                  | 350            | 1400               | 49             |
| SGS 150-30000/23   | 150        | 127 | 53 | 55 | 407   | 14 | 32 | M32x2   | 46 | 25 | AIR / OIL   | 17.000              | 30.000      | 23                  | 13                   | 350            | 1000               | 68             |
| SGS 150-24000/23   | 150        | 127 | 63 | 65 | 411   | 16 | 36 | M36x2   | 50 | 25 | AIR / OIL   | 17.000              | 24.000      | 23                  | 13                   | 350            | 800                | 68             |
| SGS 150-18000/18   | 150        | 127 | 63 | 65 | 395   | 16 | 36 | M36x2   | 50 | 25 | AIR / OIL   | 12.000              | 18.000      | 18                  | 14,3                 | 350            | 600                | 48             |
| SGS 170-33000/37   | 170        | 130 | 48 | 50 | 357   | 13 | 28 | M28x2   | 42 | 25 | AIR / OIL   | 18.000              | 33.000      | 37                  | 19,6                 | 350            | 1100               | 78             |
| SGS 170-30000/26   | 170        | 135 | 53 | 55 | 379   | 14 | 32 | M32x2   | 46 | 25 | AIR / OIL   | 10.000              | 30.000      | 26                  | 24,8                 | 350            | 1000               | 56             |
| SGS 170-24000/36,5 | 170        | 140 | 63 | 65 | 383   | 16 | 36 | M36x2   | 50 | 25 | AIR / OIL   | 16.000              | 24.000      | 36,5                | 21,8                 | 350            | 800                | 81             |
| SGS 170-18000/36,5 | 170        | 148 | 68 | 70 | 419   | 18 | 36 | M36x2   | 50 | 25 | AIR / OIL   | 12.000              | 18.000      | 36,5                | 29                   | 350            | 600                | 79             |
| SGS 170-12000/26   | 170        | 140 | 68 | 70 | 419   | 18 | 36 | M36x2   | 50 | 25 | GREASE      | 8.000               | 12.000      | 26                  | 31                   | 350            | 400                | 46             |





# Standard High Power I.D. Grinding Spindles

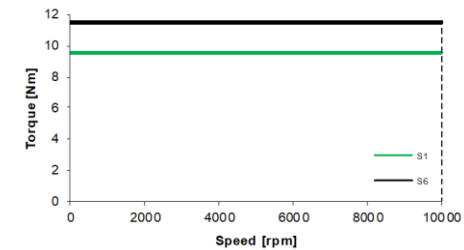
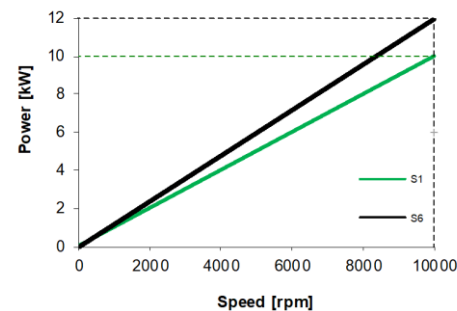
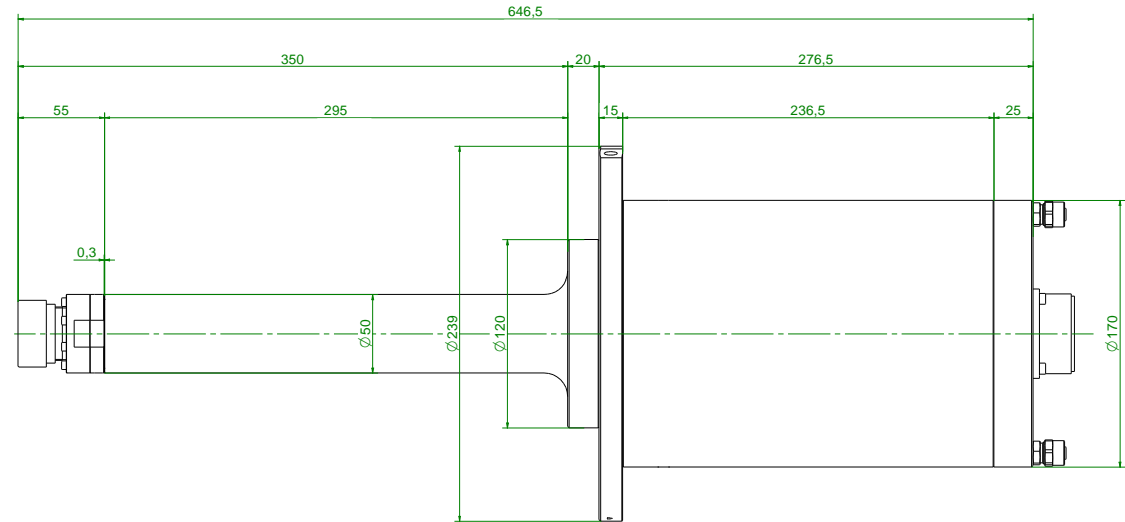
| SPINDLE          | DIMENSIONS |     |    |    |     |     |    |         |    |    | LUBRICATION | SERVICE<br>S6 - 60% |             |                     |                      | Tension<br>[V] | Frequency<br>[Hz] | Current<br>[A] |
|------------------|------------|-----|----|----|-----|-----|----|---------|----|----|-------------|---------------------|-------------|---------------------|----------------------|----------------|-------------------|----------------|
|                  | D          | D1  | D2 | D3 | L   | L1  | c  | e       | f  | g  |             | na<br>(rpm)         | nb<br>(rpm) | POWER<br>Pa<br>(kW) | TORQUE<br>Ta<br>(Nm) |                |                   |                |
| SGP 100-90000/4  | 100        | 80  | 18 | 20 | 230 | 5,5 | 10 | M10x1,5 | 15 | 19 | AIR / OIL   | 90.000              |             | 4                   | 0,4                  | 350            | 1500              | 7,5            |
| SGP 100-75000/5  | 100        | 80  | 23 | 25 | 249 | 6   | 14 | M14x1,5 | 21 | 19 | AIR / OIL   | 75.000              |             | 5                   | 0,6                  | 350            | 1250              | 10,5           |
| SGP 120-75000/7  | 120        | 80  | 23 | 25 | 249 | 5,5 | 14 | M14x1,5 | 21 | 19 | AIR / OIL   | 75.000              |             | 7                   | 0,8                  | 350            | 1250              | 25             |
| SGP 120-60000/13 | 120        | 85  | 28 | 30 | 293 | 6   | 16 | M16x1,5 | 24 | 19 | AIR / OIL   | 30.000              | 60.000      | 13                  | 4,1                  | 350            | 2000              | 32             |
| SGP 120-30000/18 | 120        | 88  | 53 | 55 | 337 | 10  | 32 | M32x2   | 46 | 25 | AIR / OIL   | 24.000              | 30.000      | 18                  | 7,2                  | 350            | 1000              | 55             |
| SGS 120-45000/18 | 120        | 100 | 43 | 45 | 322 | 8   | 28 | M28x2   | 42 | 25 | AIR / OIL   | 30.000              | 45.000      | 18                  | 5,7                  | 350            | 1500              | 38             |
| SGP 150-45000/27 | 150        | 105 | 43 | 45 | 355 | 8   | 28 | M28x2   | 42 | 25 | AIR / OIL   | 20.800              | 45.000      | 27                  | 12,4                 | 350            | 1500              | 57             |
| SGP 150-30000/30 | 150        | 130 | 63 | 65 | 393 | 12  | 36 | M36x2   | 50 | 25 | AIR / OIL   | 16.000              | 30.000      | 30                  | 17,9                 | 350            | 1000              | 83             |





# SGV 50-350-10000/10

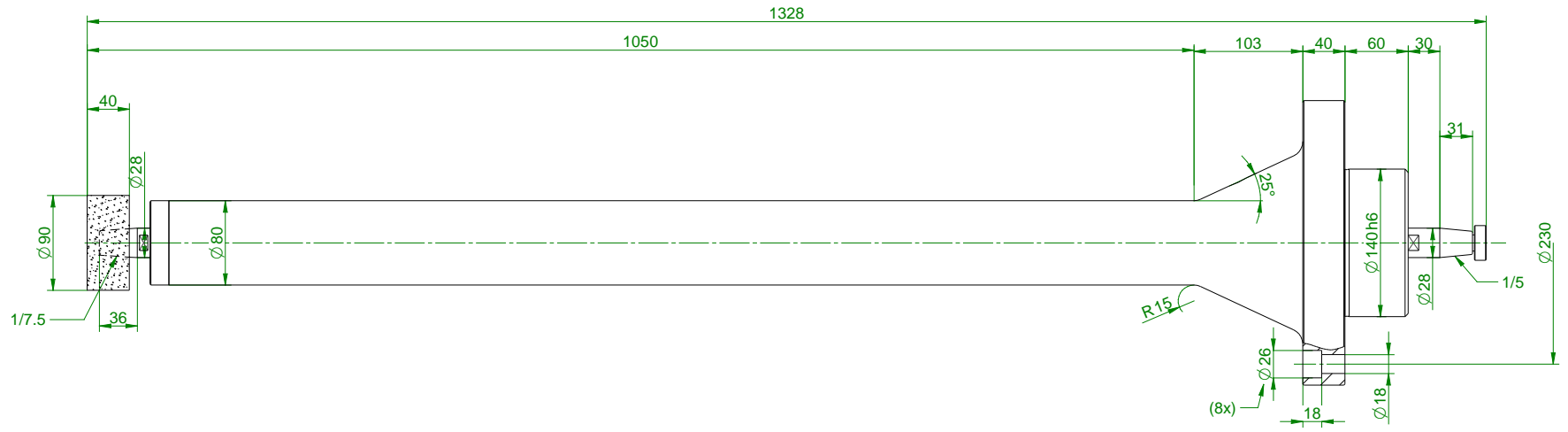
|                              |                         |
|------------------------------|-------------------------|
| MYL CODE                     | SP02GE011000116         |
| DIAMETER [mm]                | 50                      |
| WORKING POSITION             | VERTICAL<br>(DOWN-SIDE) |
| MOTOR TYPE                   | ASYNCHRONOUS            |
| TORQUE [Nm] @<br>SPEED [rpm] | 9.5 @10,000             |
| POWER [kW] @<br>SPEED [rpm]  | 10 @10,000              |
| MAX SPEED<br>[rpm]           | 10,000                  |
| INTERFACE                    | SCHAUBLIN<br>DX29       |
| LUBRICATION                  | GREASE                  |
| MOTOR<br>COOLANT             | YES                     |





# STC-P 80x1050

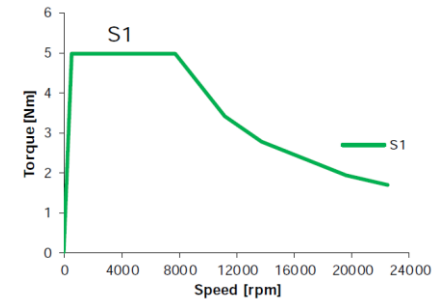
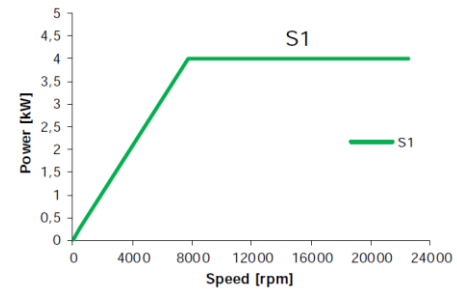
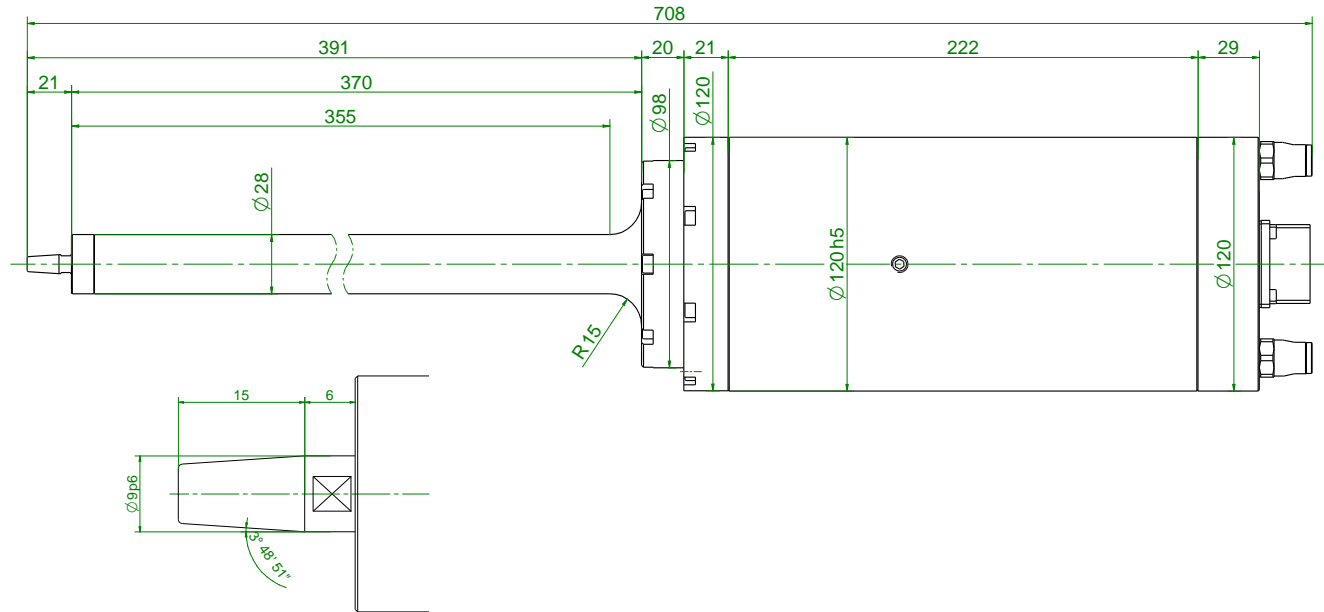
|                  |                 |
|------------------|-----------------|
| MYL CODE         | SP14GE011000130 |
| DIAMETER [mm]    | 80              |
| WORKING POSITION | HORIZONTAL      |
| MAX SPEED [rpm]  | 10,000          |
| INTERFACE        | Ø28 1/7.5       |
| LUBRICATION      | GREASE          |





# SGE Ø28-355-22500/4

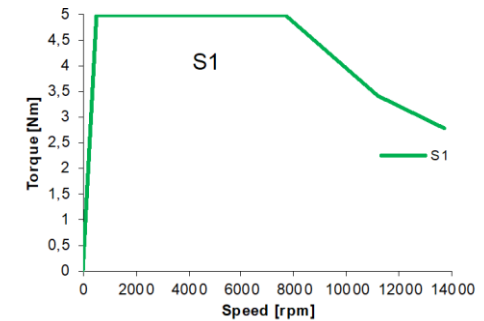
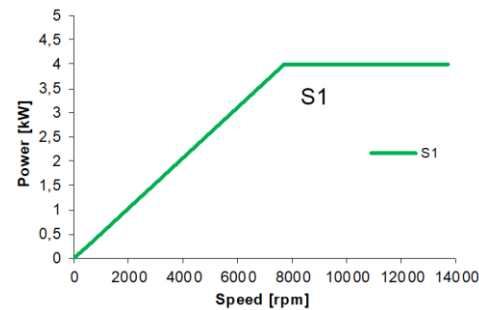
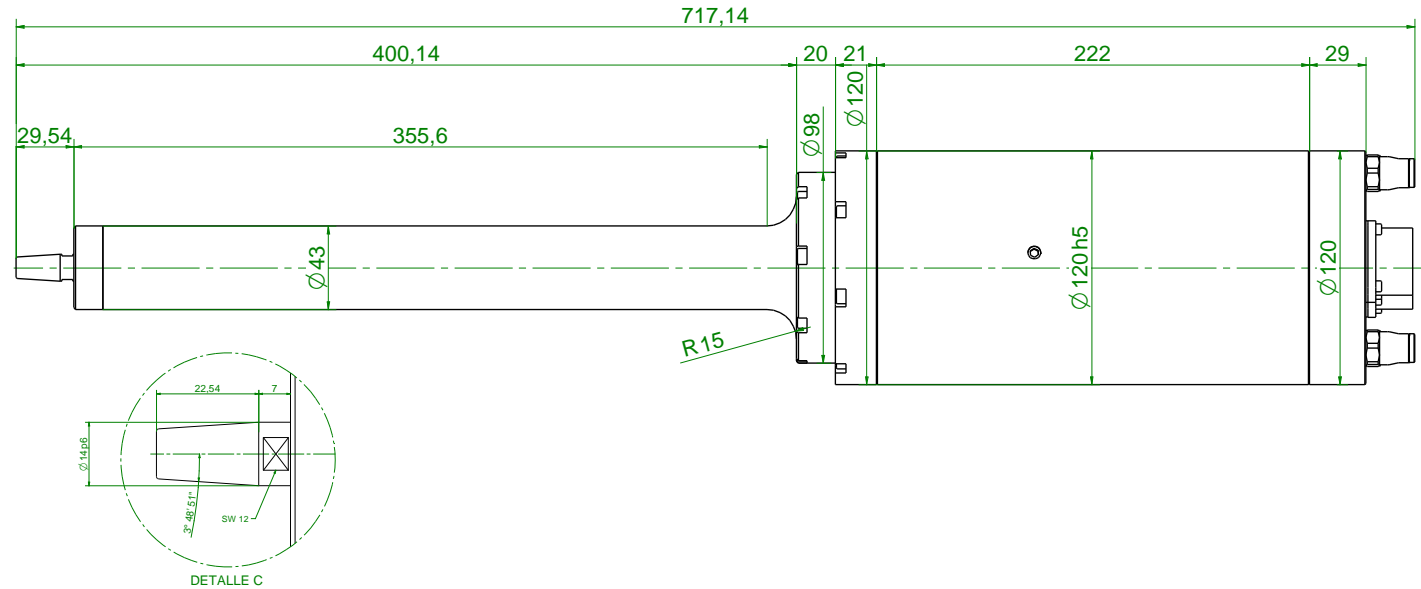
|                           |                 |
|---------------------------|-----------------|
| MYL CODE                  | SP02GE011000152 |
| DIAMETER [mm]             | 28              |
| WORKING POSITION          | HORIZONTAL      |
| MOTOR TYPE                | ASYNCHRONOUS    |
| TORQUE [Nm] @ SPEED [rpm] | 5 @7,700        |
| POWER [kW] @ SPEED [rpm]  | 4 @7,700        |
| MAX SPEED [rpm]           | 22,500          |
| TAPER TYPE                | CTE Ø9 / M4     |
| LUBRICATION               | GREASE          |
| MOTOR COOLANT             | YES             |





# SGE Ø43-355-14000/4

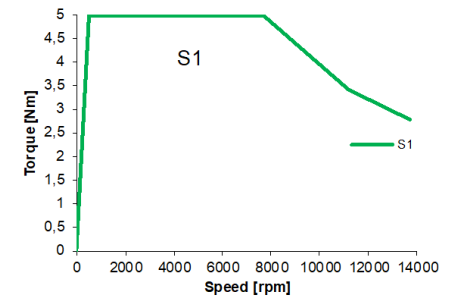
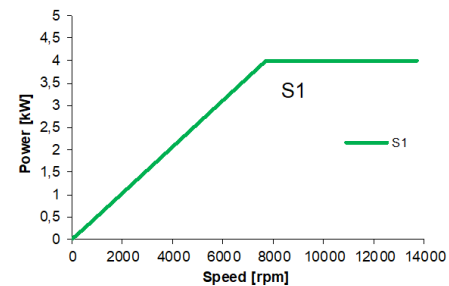
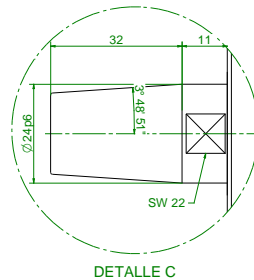
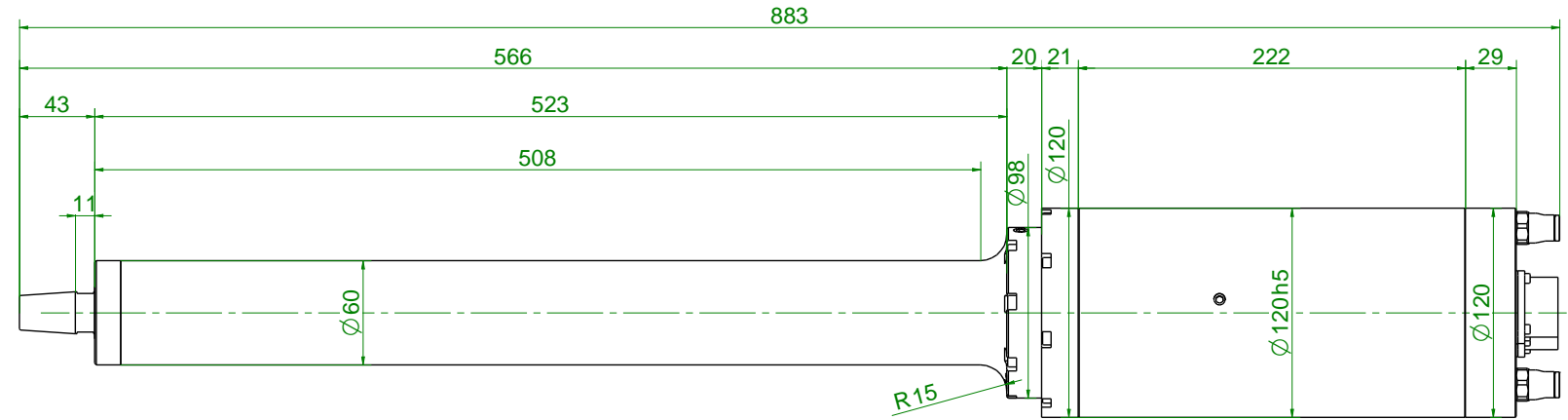
|                           |                 |
|---------------------------|-----------------|
| MYL CODE                  | SP02GE011000164 |
| DIAMETER [mm]             | 43              |
| WORKING POSITION          | HORIZONTAL      |
| MOTOR TYPE                | ASYNCHRONOUS    |
| TORQUE [Nm] @ SPEED [rpm] | 5 @7,700        |
| POWER [kW] @ SPEED [rpm]  | 4 @7,700        |
| MAX SPEED [rpm]           | 14,000          |
| TAPER TYPE                | CTE Ø14 / M6    |
| LUBRICATION               | GREASE          |
| MOTOR COOLANT             | YES             |





# SGE Ø60-508-14000/4

|                           |                 |
|---------------------------|-----------------|
| MYL CODE                  | SP02GE011000170 |
| DIAMETER [mm]             | 60              |
| WORKING POSITION          | HORIZONTAL      |
| MOTOR TYPE                | ASYNCHRONOUS    |
| TORQUE [Nm] @ SPEED [rpm] | 5 @7,700        |
| POWER [kW] @ SPEED [rpm]  | 4 @7,700        |
| MAX SPEED [rpm]           | 14,000          |
| TAPER TYPE                | CTE Ø24 / M8    |
| LUBRICATION               | GREASE          |
| MOTOR COOLANT             | YES             |





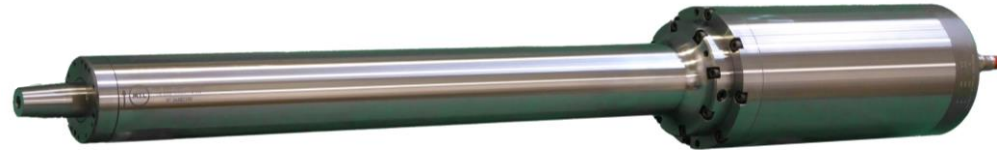


# EXAMPLES

SP14GE011000130 | STC-P 80x1050



SP02GE011000170 | SGE Ø60-508-14000/4



SP02GE011000164 | SGE Ø43-355-14000/4





Precision Spindles &  
Spindle repair services

[myl.es](http://myl.es)

**Thank you**