



Precision Spindles &
Spindle repair services

myl.es

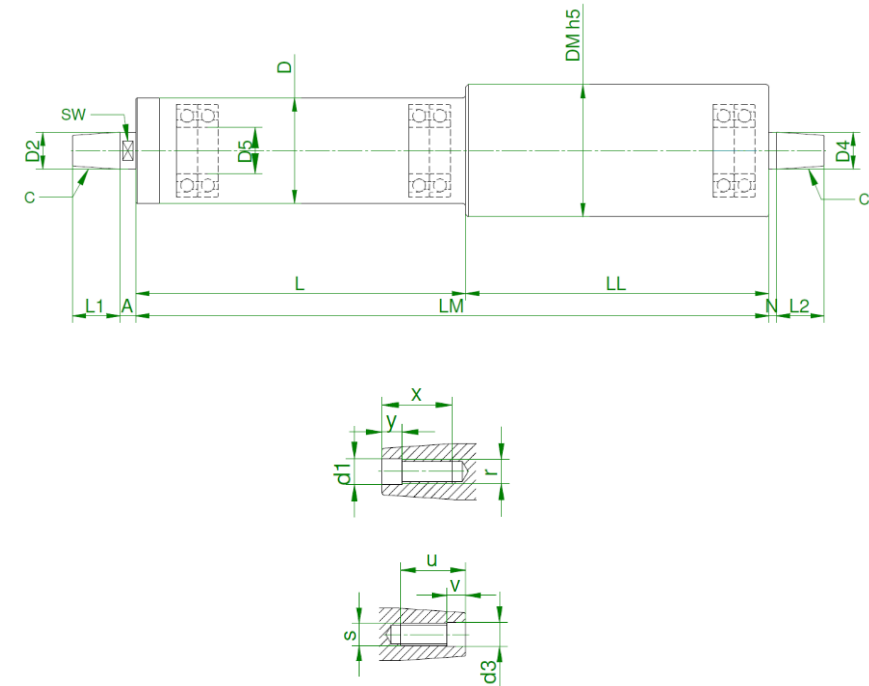
Belt Driven Long Holes Grinding Spindles Model Range





Standard Belt Driven Long Holes Grinding Spindles

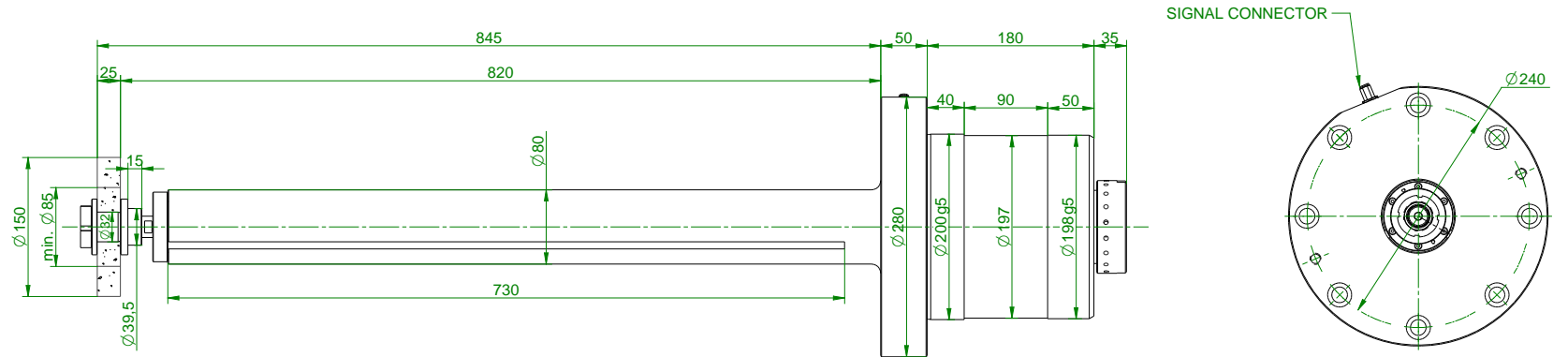
SPINDLE	DIMENSIONS																				Max. Speed rpm		
	D	DM	L	LL	LM	D5	C	SW	D2	L1	A	d1	r	x	y	D4	L2	N	d3	s		u	v
STC-P 32-60x250-480	32	60	250	230	480	12	1:7,5	8	10,5	17	2	5	M5	20	5	18	25	7	8,5	M8	32	10	14.000
STC-P 40-60x400-630	40	60	400	230	630	15	1:7,5	11	13,5	19	3	6,5	M6	24	7	18	25	7	8,5	M8	32	10	12.000
STC-P 45-60x400-630	45	60	400	230	630	17	1:7,5	11	13,5	19	3	6,5	M6	24	7	18	25	7	8,5	M8	32	10	12.000
STC-P 50-70x500-730	50	70	500	230	730	17	1:7,5	13	15,5	23	3	8,5	M8	28	10	23	32	10	12	M10	35	10	9.000
STC-P 55-70x500-730	55	70	500	230	730	20	1:7,5	14	18	25	3	8,5	M8	32	10	23	32	10	12	M10	35	10	8.000
STC-P 60-80x600-830	60	80	600	230	830	25	1:7,5	19	23	32	3	12	M10	35	10	28	36	12	13	M12	35	10	7.500
STC-P 65-80x600-830	65	80	600	230	830	25	1:7,5	19	23	32	3	12	M10	35	10	28	36	12	13	M12	35	10	7.500
STC-P 80-100x700-930	80	100	700	230	930	30	1:7,5	27	33	45	4	13	M12	37	10	33	45	12	13	M12	37	10	6.000
STC-P 100-140x450-750	100	140	450	300	750	40	1:7,5	32	38	56	5	20	M16	48	10	38	56	12	20	M16	48	10	5.000
STC-P 105-200x1158-1388	105	200	1158	230	1388	40	1:7,5	32	38	53	5	20	M16	48	10	38	53	12	20	M16	48	10	8.000
STC-P 110-130x1200-1500	110	130	1200	300	1500	40	1:7,5	27	33	45	4	13	M12	37	10	33	45	12	13	M12	37	10	7.000
STC-P 127-200x1095-1325	127	200	1095	230	1325	40	1:7,5	32	38	53	5	20	M16	48	10	38	53	12	20	M16	48	10	7.000
STC-P 130-200x1365-1600	130	200	1365	235	1600	40	1:7,5	32	38	53	5	20	M16	48	10	38	53	12	20	M16	48	10	7.000
STC-P 140-200x413-620	140	200	413	207	620	40	1:7,5	46	56	70	6	25	M20	65	25	56	70	12	25	M20	65	25	6.000
STC-P 150-200x1280-2310	150	200	1280	1030	2310	40	1:7,5	27	33	45	4	13	M12	37	10	33	45	12	13	M12	37	10	6.000





STC-P Ø80 L820 LT1050 10100 rpm

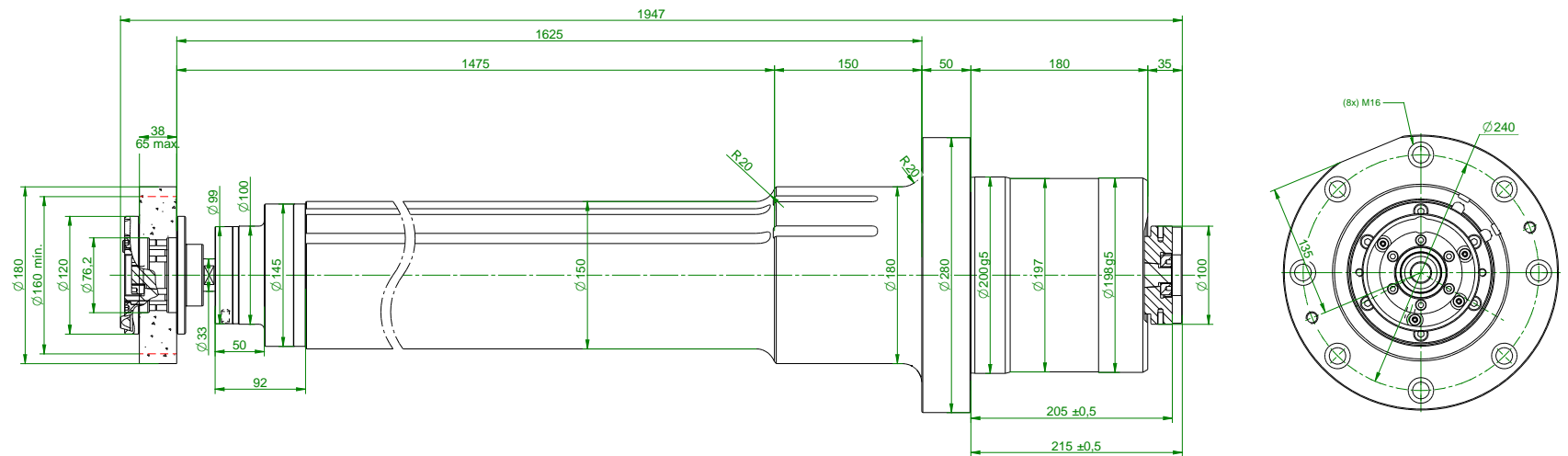
MYL CODE	SP14GE011000016
DIAMETER [mm]	80
WORKING POSITION	HORIZONTAL
MAX SPEED [rpm]	10,100
TAPER TYPE	Ø23 1/7.5
LUBRICATION	GREASE
SIGNAL CONNECTOR	OPTIONAL





STC-P Ø150x1450 Ø200x1800 6,000rpm

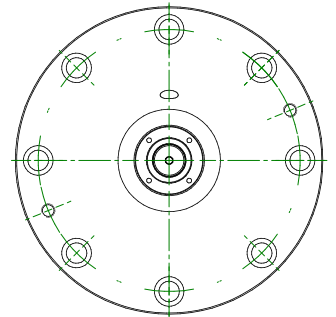
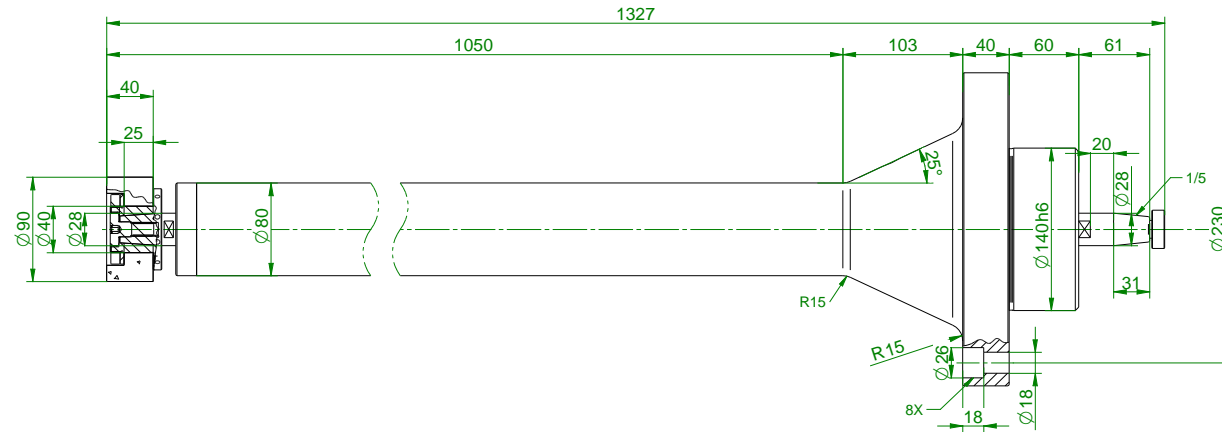
MYL CODE	SP14GE011000134
DIAMETER [mm]	150
WORKING POSITION	HORIZONTAL
MAX SPEED [rpm]	6,000
TAPER TYPE	Ø33 1/7.5
LUBRICATION	GREASE





STC-P Ø80 L1050 LT1327 10000 rpm

MYL CODE	SP14GE011000130
DIAMETER [mm]	80
WORKING POSITION	HORIZONTAL
MAX SPEED [rpm]	10,000
TAPER TYPE	Ø28 1/7.5
LUBRICATION	GREASE





EXAMPLES

SP14GE011000134	STC-P Ø150x1450 Ø200x1800 6,000rpm
-----------------	---------------------------------------



SP14GE011000130	STC-P Ø80 L1050 LT1327 10000 rpm
-----------------	-------------------------------------





Precision Spindles &
Spindle repair services

myl.es

Thank you